

PLEASE CHECK WWW.MOLEX.COM FOR LATEST PART INFORMATION

Part Number: [0879335031](#)
Status: **Active**
Description: 1.27mm (.050") Pitch Wire-to-Board Header, Dual Row, SMT, Vertical, 50 Circuits, 0.38µm (15µ") Gold (Au) Plating, Mating Pin Length 3.05mm (0.120"), with Cap and Peg, Tape on Reel Packaging, Lead-free

Documents:

[3D Model](#) [RoHS Certificate of Compliance \(PDF\)](#)
[Drawing \(PDF\)](#)

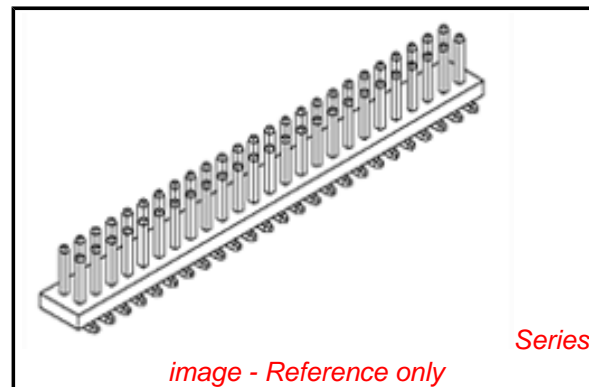
General

Product Family	PCB Headers
Series	87933
Application	Wire-to-Board
Comments	With Cap
Product Name	N/A

Physical

Breakaway	No
Circuits (Loaded)	50
Circuits (maximum)	50
Color - Resin	Black
Durability (mating cycles max)	100
First Mate / Last Break	No
Glow-Wire Compliant	No
Guide to Mating Part	No
Keying to Mating Part	None
Lock to Mating Part	No
Mated Height (in)	0.120 In
Mated Height (mm)	3.05 mm
Material - Metal	Copper Alloy
Material - Plating Mating	Gold
Material - Plating Termination	Tin
Material - Resin	Nylon
Number of Rows	2
Orientation	Vertical
PCB Locator	Yes
PCB Retention	None
Packaging Type	Embossed Tape on Reel
Pitch - Mating Interface (in)	0.050 In
Pitch - Mating Interface (mm)	1.27 mm
Pitch - Term. Interface (in)	0.050 In
Pitch - Term. Interface (mm)	1.27 mm
Plating min: Mating (µin)	15
Plating min: Mating (µm)	0.38
Plating min: Termination (µin)	80
Plating min: Termination (µm)	2
Polarized to Mating Part	No
Polarized to PCB	No
Robotic Placement	Pick and Place Cap
Shrouded	No
Stackable	No
Temperature Range - Operating	-55°C to +105°C
Termination Interface: Style	Surface Mount

Electrical



EU RoHS

ELV and RoHS Compliant
REACH SVHC
 Not Reviewed
Halogen-Free
Status
Not Reviewed

China RoHS



Need more information on product environmental compliance?

Email productcompliance@molex.com
 For a multiple part number RoHS Certificate of Compliance, [click here](#)

Please visit the [Contact Us](#) section for any non-product compliance questions.

Search Parts in this Series

[87933Series](#)

Mates With

[78120 Wire-to-Board Receptacles](#)

Current - Maximum per Contact	1.75A
Voltage - Maximum	125V

Solder Process Data

Duration at Max. Process Temperature (seconds)	14
Lead-free Process Capability	Reflow Capable (SMT only)
Max. Cycles at Max. Process Temperature	3
Process Temperature max. C	260

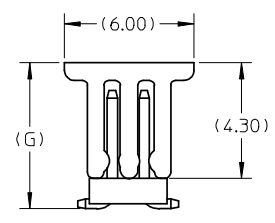
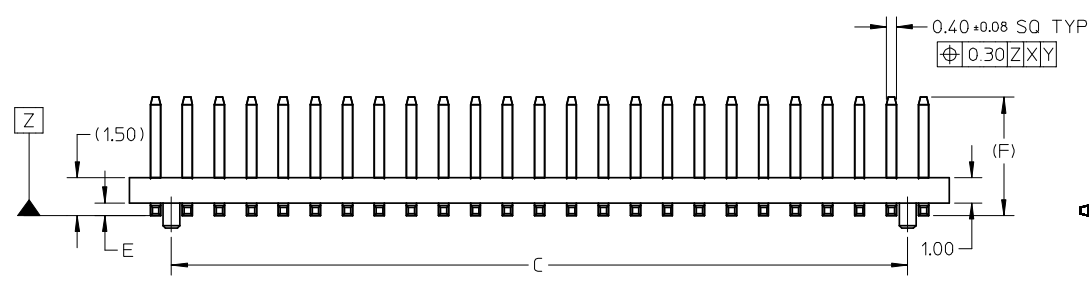
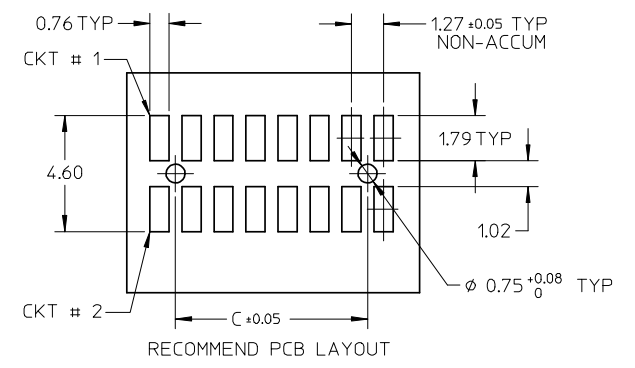
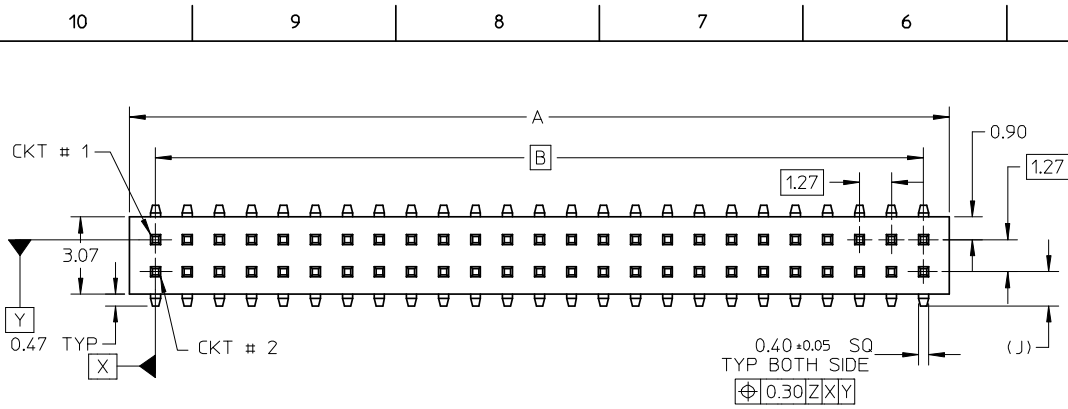
Material Info

Reference - Drawing Numbers

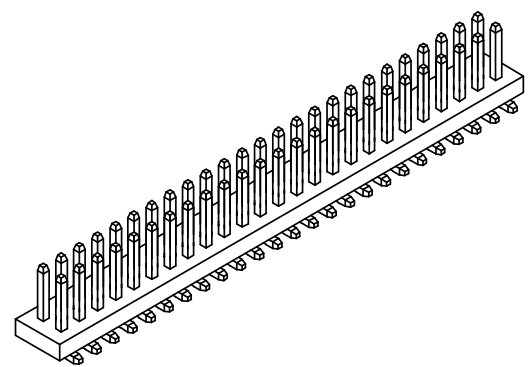
Sales Drawing	SD-87933-032
---------------	--------------

This document was generated on 04/01/2010

PLEASE CHECK WWW.MOLEX.COM FOR LATEST PART INFORMATION



- NOTES:
- MATERIAL:
HOUSING: GLASS FILLED NYLON, UL94V-0,
COLOR: BLACK
TERMINAL: 0.40MM SQ PIN, COPPER ALLOY
 - PLATING TYPE:
(1) : GOLD FLASH OVER
1.25µm MIN. NICKEL OVERALL.
(2) : 0.38 µm MIN. GOLD PLATE ON CONTACT AND
2.00 µm MIN. TIN ON SOLDER TAIL OVER
1.25 µm MIN. NICKEL OVERALL.
 - PIN PUSHOUT FORCE: 0.4KG MIN IN EITHER DIRECTION
 - THE ABOVE 50 CKT IS FOR ILLUSTRATION PURPOSE ONLY.
 - FOR PACKAGING OPTION PLEASE REFER TO THE TABLE.
 - BEND DEPRESSION IS ACCEPTABLE SO LONG AS IT DOES NOT AFFECT OVERALL COPLANARITY OF TAIL.
 - COPLANARITY IS TO BE MEASURED BY RESTING THE SOLDER TAIL ON A GAUGE SURFACE.
 - PRODUCT SPEC PS-87933-001 APPLIES.



ADD. OPTIONS EC NO: S2008-0554 DRWN: CWLAM CHKD: KWLEE APPR: KWLEE	2008/01/07 2008/01/07 2008/01/10	DESCRIPTION REV	QUALITY SYMBOLS	GENERAL TOLERANCES (UNLESS SPECIFIED)	DIMENSION STYLE	SCALE	DESIGN UNITS	THIRD ANGLE PROJECTION															
			$\nabla=0$ $\nabla C=0$	<table border="1"> <tr> <th></th> <th>mm</th> <th>INCH</th> </tr> <tr> <td>4 PLACES</td> <td>± ---</td> <td>± ---</td> </tr> <tr> <td>3 PLACES</td> <td>± ---</td> <td>± ---</td> </tr> <tr> <td>2 PLACES</td> <td>± 0.20</td> <td>± ---</td> </tr> <tr> <td>1 PLACE</td> <td>± ---</td> <td>± ---</td> </tr> </table>		mm	INCH	4 PLACES	± ---	± ---	3 PLACES	± ---	± ---	2 PLACES	± 0.20	± ---	1 PLACE	± ---	± ---	MM ONLY	NTS	METRIC	\odot \square
				mm	INCH																		
			4 PLACES	± ---	± ---																		
3 PLACES	± ---	± ---																					
2 PLACES	± 0.20	± ---																					
1 PLACE	± ---	± ---																					
DRAWN BY: CWLAM CHECKED BY: KWLEE APPROVED BY: KWLEE	DATE: 2007/08/09 DATE: 2007/08/13 DATE: 2007/08/13	TITLE			SALES DRAWING 1.27MM DUAL ROW HEADER SMT SINGLE WAFER																		
A1			DRAFT WHERE APPLICABLE MUST REMAIN WITHIN DIMENSIONS	SEE TABLE	MATERIAL NO. MOLEX INCORPORATED	DOCUMENT NO. SD-87933-032	SHEET NO. 1 OF 2																

PART NUMBER IN PACKAGIN OPTION					CKT SIZE	PEG	PLATE OPT.	VOID POSITION	DIMENSION							
WITHOUT CAP IN TRAY	WITH CAP IN TRAY	WITH CAP IN TAPE & REEL	WITHOUT CAP IN TUBE	WITH CAP IN TUBE					A	B	C	G	F	E	J	MATING END M
-	-	87933-5031	-	-	50	NO	2	-	32.54	30.48	---	5.80	4.55	0.50	2.28	3.05
-	-	-	-	87933-8001	80	YES	2	-	51.59	49.53	48.26	5.80	4.55	0.50	2.28	3.05

ADD. OPTIONS EC NO: S2008-0554 DRWN: CWLAM 2008/01/07 CHKD: KWLEE 2008/01/07 APPR: KWLEE 2008/01/10	QUALITY SYMBOLS	GENERAL TOLERANCES (UNLESS SPECIFIED)		DIMENSION STYLE MM ONLY		SCALE NTS	DESIGN UNITS METRIC	THIRD ANGLE PROJECTION		
	▼=0 ∇=0	mm	INCH	DRAWN BY CWLAM	DATE 2007/08/09	TITLE SALES DRAWING 1.27MM DUAL ROW HEADER SMT SINGLE WAFER				
		4 PLACES	± ---	± ---	CHECKED BY KWLEE	DATE 2007/08/13	MOLEX INCORPORATED			
		3 PLACES	± ---	± ---	APPROVED BY KWLEE	DATE 2007/08/13	DOCUMENT NO. SD-87933-032		SHEET NO. 2 OF 2	
		2 PLACES	± 0.20	± ---	MATERIAL NO. SEE TABLE		THIS DRAWING CONTAINS INFORMATION THAT IS PROPRIETARY TO MOLEX INCORPORATED AND SHOULD NOT BE USED WITHOUT WRITTEN PERMISSION			
	1 PLACE	± ---	± ---	ANGULAR ± 3 °						
	DRAFT WHERE APPLICABLE MUST REMAIN WITHIN DIMENSIONS									